

PLEASE CHECK WWW.MOLEX.COM FOR LATEST PART INFORMATION

Part Number: [0761030001](#)
Status: **Obsolete**
Overview: [sfp_stacked_multiport_connectors](#)
Description: Small Form-factor Pluggable Plus (SFP+) Stacked 2-by-5 Multi-Port Press Fit Connector without Lightpipe Ports, Elastomeric Gasket, 200 Circuits, Tin (Sn)/Lead(Pb) Tails

Documents:
[Drawing \(PDF\)](#)

Agency Certification

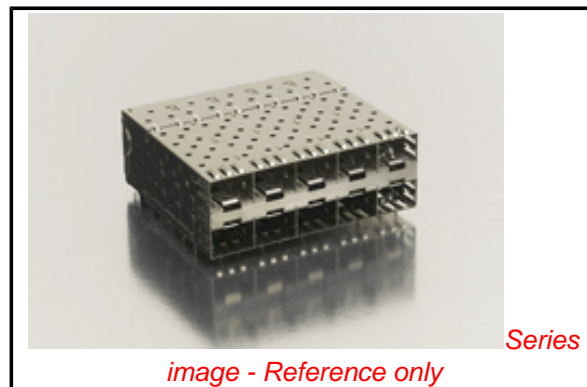
CSA LR19980
 UL E29179

General

Product Family I/O Connectors
 Series [76103](#)
 Application Module-to-Board
 Component Type Receptacle
 Overview [sfp_stacked_multiport_connectors](#)
 Product Name SFP Plus
 Type N/A

Physical

Boot Color N/A
 Circuits (Loaded) 200
 Circuits (maximum) 200
 Circuits Detail 200
 Durability (mating cycles max) 100
 Flammability 94V-0
 Gender Female
 Keying to Mating Part None
 Lock to Mating Part Yes
 Material - Plating Mating Gold
 Number of Rows 4
 Orientation Right Angle
 PC Tail Length (in) 0.081 In
 PC Tail Length (mm) 2.07 mm
 PCB Locator Yes
 PCB Retention Yes
 PCB Thickness Recommended (in) 0.062 In
 PCB Thickness Recommended (mm) 1.57 mm
 Packaging Type Tray
 Panel Mount No
 Pitch - Mating Interface (in) 0.031 In
 Pitch - Mating Interface (mm) 0.80 mm
 Pitch - Term. Interface (in) 0.031 In
 Pitch - Term. Interface (mm) 0.80 mm
 Polarized to Mating Part Yes
 Polarized to PCB Yes
 Ports 10
 Surface Mount Compatible (SMC) No
 Temperature Range - Operating -40°C to +85°C
 Termination Interface: Style Through Hole - Compliant Pin
 Waterproof / Dustproof No



EU RoHS

RoHS Compliant by Exemption

REACH SVHC

Not Reviewed

Halogen-Free

Status

Not Reviewed

China RoHS



Pb

Need more information on product environmental compliance?

Email productcompliance@molex.com
 For a multiple part number RoHS Certificate of Compliance, [click here](#)

Please visit the [Contact Us](#) section for any non-product compliance questions.

Search Parts in this Series

[76103Series](#)

Use With

[0759510999 SFP Dust Plug,](#)

Application Tooling | FAQ

Tooling specifications and manuals are found by selecting the products below. Crimp Height Specifications are then contained in the Application Tooling Specification document.

Global

Description	Product #
SFP Stacked Multi-Port Insertion Tool, 2 by 5	0622029980
SFP Stacked Multi-Port Extraction Tool, 2 by 5	0622029990

Electrical

Current - Maximum per Contact	0.5A
Grounding to Panel	None
Shielded	No
Voltage - Maximum	120V AC (RMS)/DC

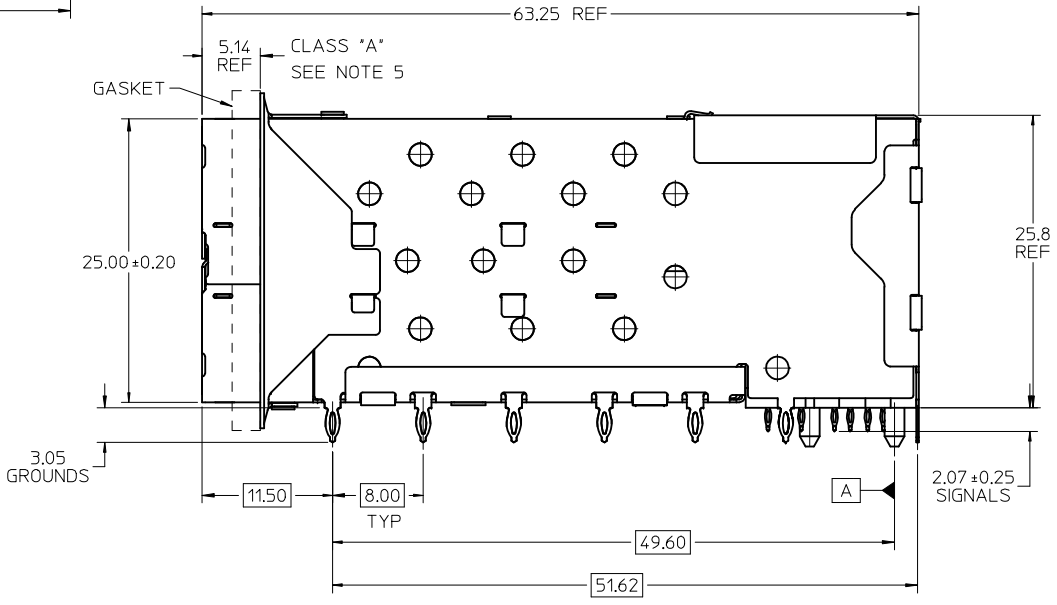
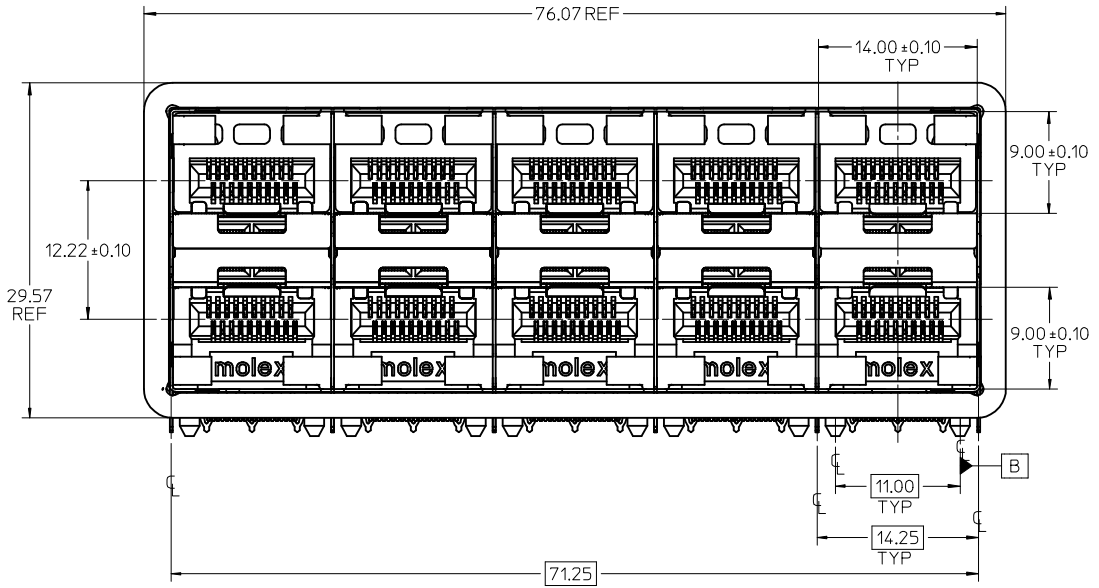
Material Info**Reference - Drawing Numbers**

Application Specification	AS-75310-001
Packaging Specification	PK-75733-001
Product Specification	PS-75310-001
Sales Drawing	SD-76103-001

This document was generated on 06/04/2010

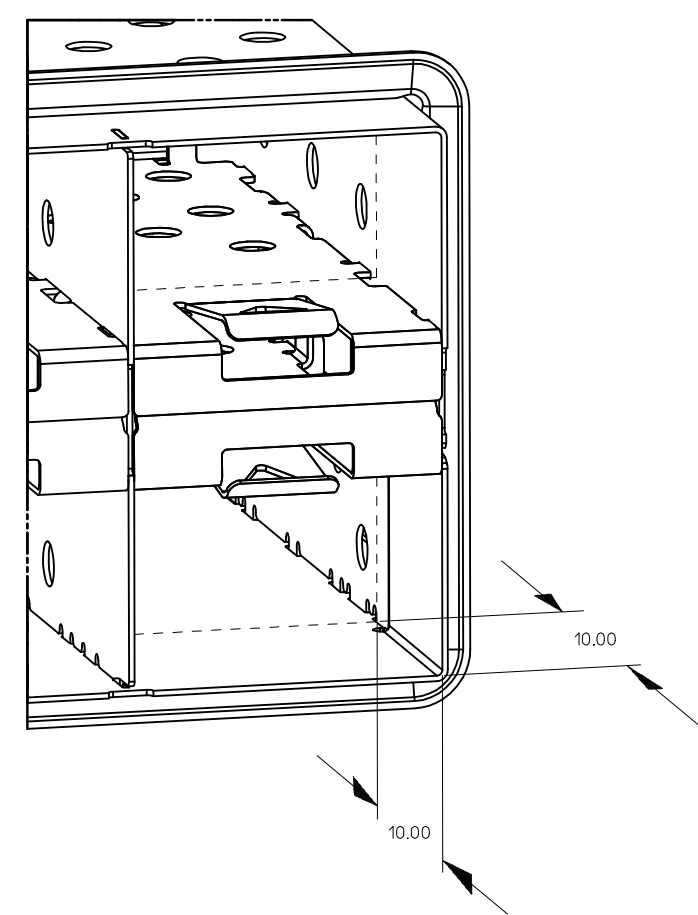
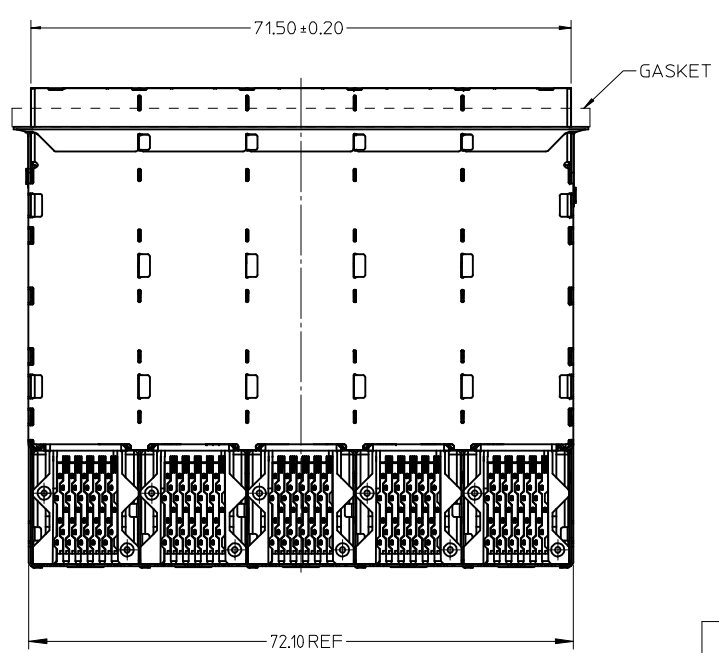
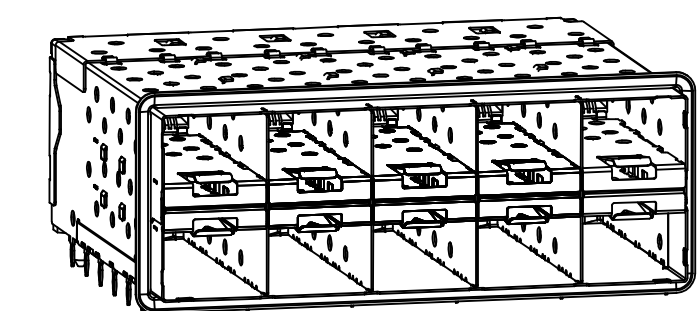
PLEASE CHECK WWW.MOLEX.COM FOR LATEST PART INFORMATION

PART NUMBER	COMPLIANT TAIL PLATING
761030001	TIN / LEAD
761035001	TIN



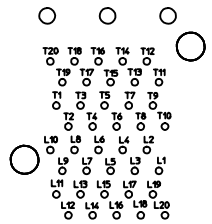
- NOTES:
- MATERIAL:
 - CAGE: NICKEL SILVER, THICKNESS: 0.25mm
 - EMI GASKET: CONDUCTIVE ELASTOMER
 - CONNECTOR HOUSING: GLASS FILLED THERMOPLASTIC, UL: 94 V-0, COLOR: BLACK
 - OVERMOLD TERMINAL HOUSING: GLASS FILLED THERMOPLASTIC, UL 94 V-0, COLOR: BLACK
 - TERMINALS: BRASS
 - FINISH
 - TERMINALS: CONTACT AREA: 0.76 MICRONS MIN. HARD GOLD OVER 1.27 MICRONS MIN. NICKEL.
 - COMPLIANT TAIL - TIN/LEAD OPTION: 0.76 - 1.52 MICRONS 90/10 TIN/LEAD OVER 0.76 - 1.52 MICRONS NICKEL
 - COMPLIANT TAIL - TIN OPTION: 0.76 - 1.52 MICRONS TIN OVER 0.76 - 1.52 MICRONS NICKEL
 - REFER TO PS-75310-001 PRODUCT SPEC FOR ALL ELECTRICAL, MECHANICAL AND ENVIRONMENTAL SPECIFICATIONS.
 - REFER TO PK-75733-001 FOR ALL PACKAGING SPECIFICATIONS.
 - ALL EXTERIOR SURFACES TO BE CLASS *B* SURFACES EXCEPT THE UNDER SIDE OF THE CAGE WHERE THE PCB WOULD BE LOCATED AND AS NOTED. THE SURFACES TO CONFORM TO THE MOLEX COSMETIC DOC PS-45499-002.

ADD KEEP OUT ZONES EC NO: UCP2009-1356 2009/08/04 DRWINMS IBARRA 2009/08/06 CHKD: 2009/08/06 APPR: MILLER 2009/08/06	QUALITY SYMBOLS ▽=0 ▽=0	GENERAL TOLERANCES (UNLESS SPECIFIED)		DIMENSION STYLE MM ONLY	SCALE 3:1	DESIGN UNITS METRIC	THIRD ANGLE PROJECTION		
		4 PLACES ± --- ± --- 3 PLACES ± --- ± --- 2 PLACES ± 0.13 ± --- 1 PLACE ± 0.25 ± ---	mm INCH ± --- ± --- ± --- ± --- ± --- ± ---	DRAWN BY JLONG	DATE 01-18-2007	TITLE STACKED SFP+ 2X5 ASS'Y WITH ELASTOMERIC GASKET			
		ANGULAR ± 5 °		CHECKED BY RNELSON	DATE 01-18-2007	APPROVED BY MOLEX INCORPORATED			
		DRAFT WHERE APPLICABLE MUST REMAIN WITHIN DIMENSIONS		MATERIAL NO. SEE TABLE	DOCUMENT NO. SD-76103-001	SHEET NO. 1 OF 4			

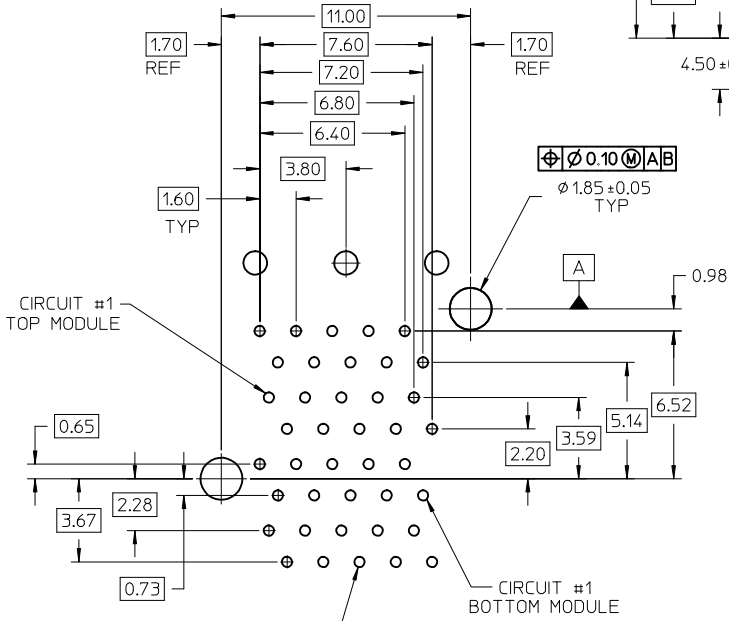
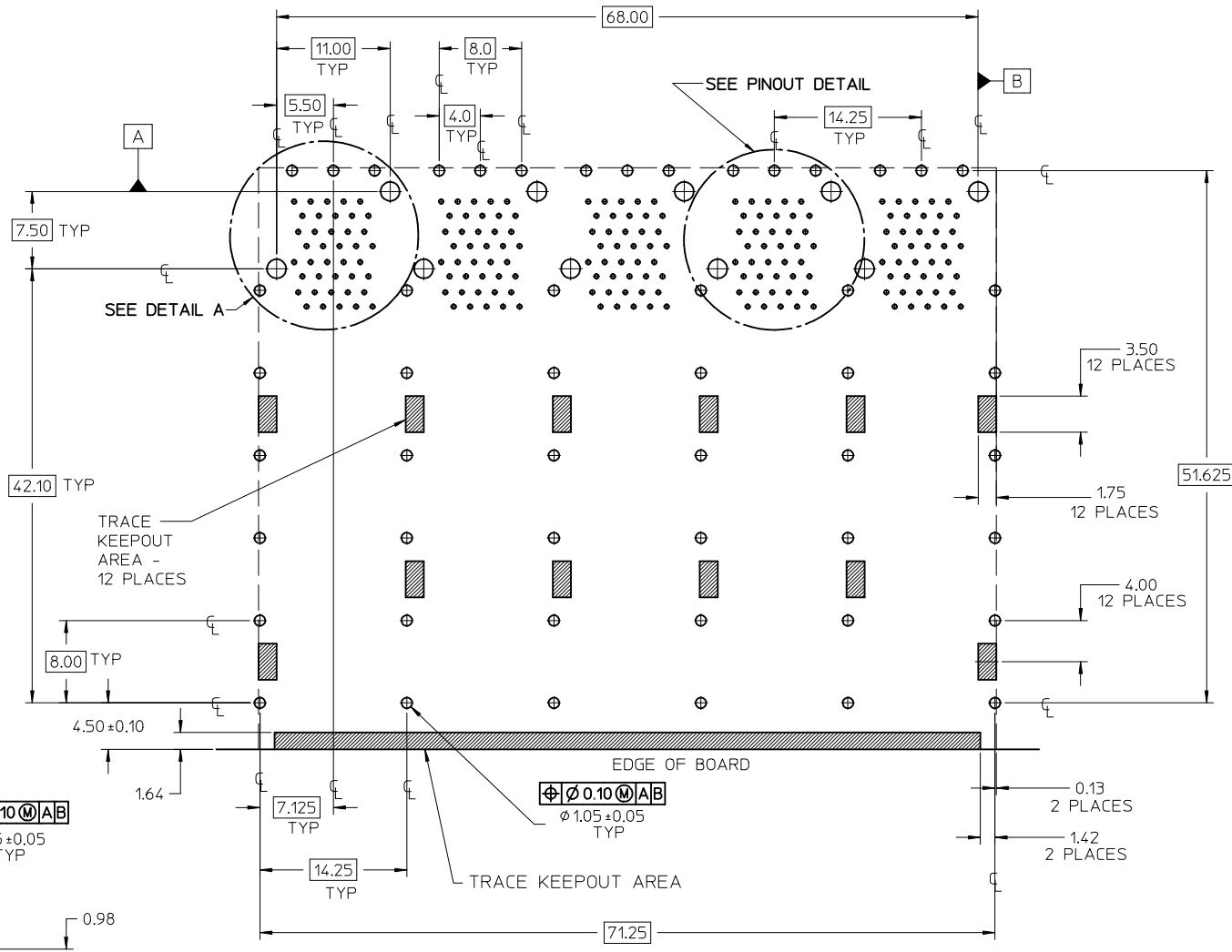


10.00mm AREA SETBACK IN CAGE IS TO BE FREE OF ANY HOLES, DIMPLES, SEAMS OR ANY OTHER FEATURE. (4 SIDES PER PORT)

SEE SHEET 1 EC NO: UCP2009-1356 DRWN:MS BARRA 2009/08/04 CHKD: MILLER 2009/08/06 APPR:SMILLER 2009/08/06	QUALITY SYMBOLS ▼=0 ▽=0	GENERAL TOLERANCES (UNLESS SPECIFIED) <table border="1"> <thead> <tr> <th></th> <th>mm</th> <th>INCH</th> </tr> </thead> <tbody> <tr> <td>4 PLACES</td> <td>± .13</td> <td>± .005</td> </tr> <tr> <td>3 PLACES</td> <td>± .25</td> <td>± .010</td> </tr> <tr> <td>2 PLACES</td> <td>± 0.13</td> <td>± .005</td> </tr> <tr> <td>1 PLACE</td> <td>± 0.25</td> <td>± .010</td> </tr> </tbody> </table> ANGULAR ± 5 °		mm	INCH	4 PLACES	± .13	± .005	3 PLACES	± .25	± .010	2 PLACES	± 0.13	± .005	1 PLACE	± 0.25	± .010	DIMENSION STYLE MM ONLY DRAWN BY: JLONG DATE: 01-18-2007 CHECKED BY: _____ DATE: _____	SCALE: 2:1 DESIGN UNITS: METRIC THIRD ANGLE PROJECTION	TITLE: STACKED SFP+ 2X5 ASS'Y WITH ELASTOMERIC GASKET
		mm	INCH																	
	4 PLACES	± .13	± .005																	
	3 PLACES	± .25	± .010																	
2 PLACES	± 0.13	± .005																		
1 PLACE	± 0.25	± .010																		
APPROVED BY: RNELSON DATE: 01-18-2007	MATERIAL NO.	DOCUMENT NO.	SHEET NO.																	
DRAFT WHERE APPLICABLE MUST REMAIN WITHIN DIMENSIONS	SIZE: C	SEE TABLE	MOLEX INCORPORATED	SD-76103-001	2 OF 4															
THIS DRAWING CONTAINS INFORMATION THAT IS PROPRIETARY TO MOLEX INCORPORATED AND SHOULD NOT BE USED WITHOUT WRITTEN PERMISSION																				



CONNECTOR PIN-OUT DETAIL
COMPONENT SIDE OF BOARD

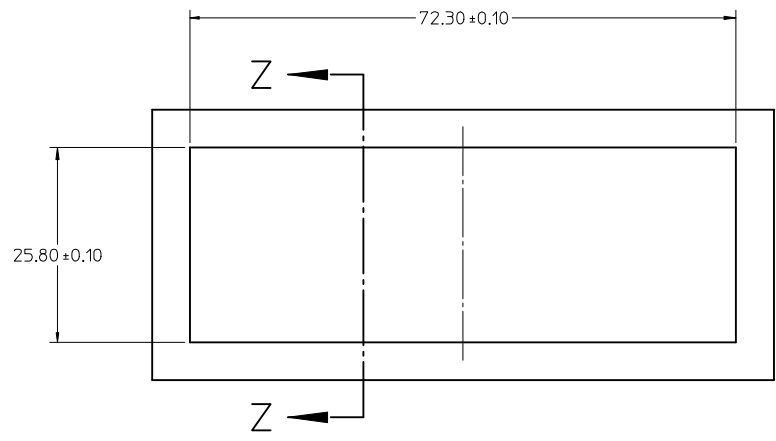


$\varnothing 0.10 \text{ (M) A/B}$
 $\varnothing 0.46 \pm 0.05$ TYP
($\varnothing 0.57$ DRILL)
($\varnothing 0.88$ TAP)

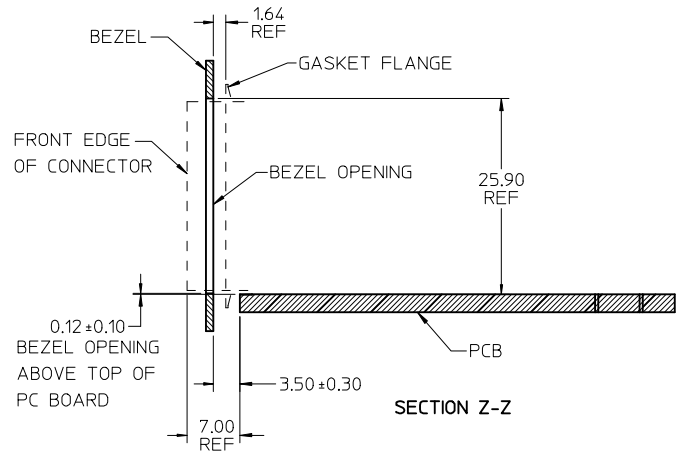
DETAIL A
SCALE 6:1

RECOMMENDED PCB LAYOUT - COMPONENT SIDE
RECOMMENDED PCB THICKNESS - 2.36 MM (.093 INCH)
THE ENTIRE AREA OF THE CONNECTOR FOOTPRINT
TO BE CONSIDERED THE KEEP OUT AREA FOR COMPONENTS
THIS AREA IS INDICATED BY THE DASHED LINE

ADD KEEP OUT ZONES EC NO: UCP2009-1356 DRWING:SBARRA 2009/08/04 CHKD: 2009/08/06 APPR:SMILLER 2009/08/06	QUALITY SYMBOLS $\nabla=0$ $\nabla=0$	GENERAL TOLERANCES (UNLESS SPECIFIED)		DIMENSION STYLE MM ONLY	SCALE 3:1	DESIGN UNITS METRIC	THIRD ANGLE PROJECTION	
				DRAWN BY JLONG	DATE 01-18-2007	TITLE STACKED SFP+ 2X5 ASS'Y WITH ELASTOMERIC GASKET		
				CHECKED BY	DATE	APPROVED BY RNELSON		
				ANGULAR $\pm 5^\circ$		DATE 01-18-2007	DOCUMENT NO. SD-76103-001	
DRAFT WHERE APPLICABLE MUST REMAIN WITHIN DIMENSIONS		SEE TABLE		MATERIAL NO.			SHEET NO. 3 OF 4	
THIS DRAWING CONTAINS INFORMATION THAT IS PROPRIETARY TO MOLEX INCORPORATED AND SHOULD NOT BE USED WITHOUT WRITTEN PERMISSION								



BEZEL CUTOUT CENTER SPACING DETAIL
BEZEL THICKNESS 0.8-2.6



SEE SHEET 1 EC NO: UCP2009-1356 DRWN:MSI BARRA 2009/08/04 CHKD: 2009/08/06 APPR:SMILLER 2009/08/06	QUALITY SYMBOLS ▽=0 ▽=0	GENERAL TOLERANCES (UNLESS SPECIFIED)		DIMENSION STYLE MM ONLY	SCALE 2:1	DESIGN UNITS METRIC	THIRD ANGLE PROJECTION	
		4 PLACES ± --- ± ---	3 PLACES ± --- ± ---	DRAWN BY JLONG	DATE 01-18-2007	TITLE STACKED SFP+ 2X5 ASS'Y WITH ELASTOMERIC GASKET		
		2 PLACES ± 0.13 ± ---	1 PLACE ± 0.25 ± ---	CHECKED BY	DATE	APPROVED BY RNELSON		
		ANGULAR ± 5 °		DATE 01-18-2007		MOLEX INCORPORATED		
DRAFT WHERE APPLICABLE MUST REMAIN WITHIN DIMENSIONS	MATERIAL NO. SEE TABLE	DOCUMENT NO. SD-76103-001		SHEET NO. 4 OF 4		THIS DRAWING CONTAINS INFORMATION THAT IS PROPRIETARY TO MOLEX INCORPORATED AND SHOULD NOT BE USED WITHOUT WRITTEN PERMISSION		